



## DCS-F5332E

### 2MP WDR NETWORK BOX CAMERA

#### KEY FEATURES

##### Optics

- Day/night functionality
- Lowlight surveillance
- 2D/3D DNR (Digital Noise Reduction)
- Up to 120 dB WDR(Wide Dynamic Range)

##### Compression

- Triple streams
- ROI (Region of Interest)
- 9:16 corridor mode
- Customized OSD

##### Network

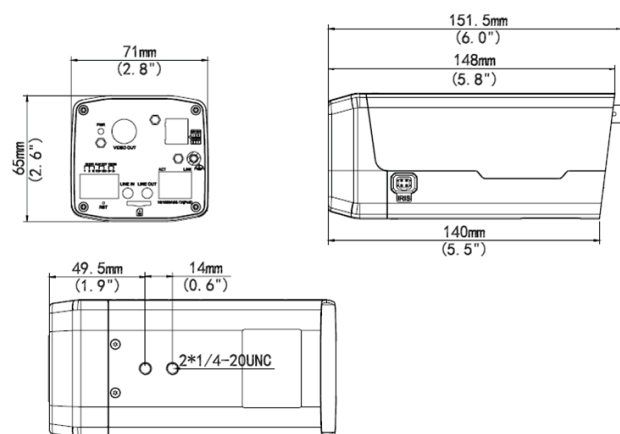
- ONVIF Conformance

##### Structure

- AC 24V /DC 12 V/PoE power supply
- Wide temperature range: -20°C to 60°C (-4°F to 140°F)
- Wide voltage range of ±10%
- 6 KV surge protection designed for network interface

| CAMERA                     |  |
|----------------------------|--|
| Sensor                     | 1/2.8" progressive scan, 2.0 megapixel, CMOS   |
| Shutter                    | Auto/Manual, 1~1/100000 s  |
| Minimum Illumination       | Colour: 0.0005 Lux (F1.2, AGC ON)  |
| Lens Mount                 | B/W:0.0001 Lux(F1.2, AGC ON)<br>C/CS   |
| Iris                       | DC-Iris/P-Iris DC 5V (4 Pins)  |
| Day/Night                  | IR-cut filter with auto switch (ICR)   |
| Digital Noise Reduction    | 2D/3D DNR  |
| S/N                        | >52dB  |
| Defog                      | Digital Defog  |
| WDR                        | 120dB  |
| VIDEO                      |  |
| Video Compression          | Ultra 265, H.264, MJPEG  |
| H.264 CodeProfile          | Baseline profile, Main Profile, High Profile   |
| Frame Rate                 | Main Stream:2MP (1920×1080): Max. 30 fps;<br>Sub Stream: 2MP (1920×1080): Max. 30 fps;<br>Third Stream:D1 (720×576): Max. 30 fps                     |
| 9:16 Corridor Mode         | Supported  |
| HLC                        | Supported  |
| BLC                        | Supported  |
| OSD                        | Up to 8 OSDs   |
| Privacy Mask               | Up to 8 areas  |
| ROI                        | Up to 8 areas  |
| Motion Detection           | Up to 4 areas  |
| SMART                      |  |
| Behavior Detection         | Intrusion, Cross Line, Motion Detection  |
| Exception Detection        | Audio Detection  |
| Intelligent Identification | Face Detection, Defocus, Scene Change, Object Left, Object Moving  |
| Statistical Analysis       | People Counting  |
| General Function           | Watermark, IP Address Filtering, Tampering Alarm, Alarm Input, Alarm Output, Access Policy, ARP Protection, RTSP Authentication, User Authentication |
| AUDIO                      |  |
| Audio Compression          | G.711  |
| Two-way Audio              | Supported  |
| Suppression                | Supported  |
| Sampling Rate              | 8 KHZ  |
| STORAGE                    |  |
| Edge Storage               | Micro SD, up to 256 GB   |
| Network Storage            | ANR  |
| NETWORK                    |  |
| Protocols                  | IPv4, IGMP, ICMP, ARP, TCP, UDP, DHCP, PPPoE, RTP, RTSP, RTCP, DNS, DDNS, NTP, FTP, UPnP, HTTP, HTTPS, SMTP, 802.1x, SNMP                            |
| Compatible Integration     | ONVIF(Profile S, Profile G), API   |
| INTERFACE                  |  |
| Audio I/O                  | 3.5 mm audio interface<br>Input: impedance 35 k ; amplitude 2 V [p-p]<br>Output: impedance 600 ; amplitude 2 V [p-p]                                 |
| Alarm I/O                  | 2 / 1  |
| Zoom/focus                 | N/A  |
| Serial Port                | 1 RS485 (support Pelco-D/P)  |
| Network                    | 1 RJ45 10M/100M Base-TX Ethernet   |
| Video Output               | 1 BNC, impedance 75 ; amplitude 1 V [p-p]  |

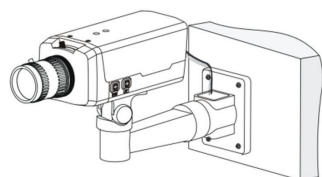
### DIMENSION



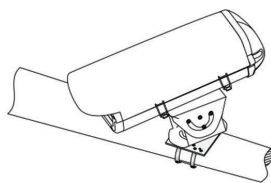
### GENERAL

|                        |   |
|------------------------|---|
| Power                  | 24 V AC±10%, 12 V DC±10%, PoE (IEEE802.3 af)<br>Power consumption: Max 6.8W |
| Dimensions (L × W × H) | 151.5 × 71 × 65 mm (6.0" × 2.8" × 2.6") (excluding the lens)                |
| Weight                 | 0.48 kg (1.1 lb)  |
| Working Environment    | -20°C ~ +60°C (-4°F ~ 140°F), Humidity :10%~90% RH (non-condensing)         |
| Reset Button           | Supported   |

### INSTALLATION



**BARE MOUNT**



**HOUSING MOUNT**